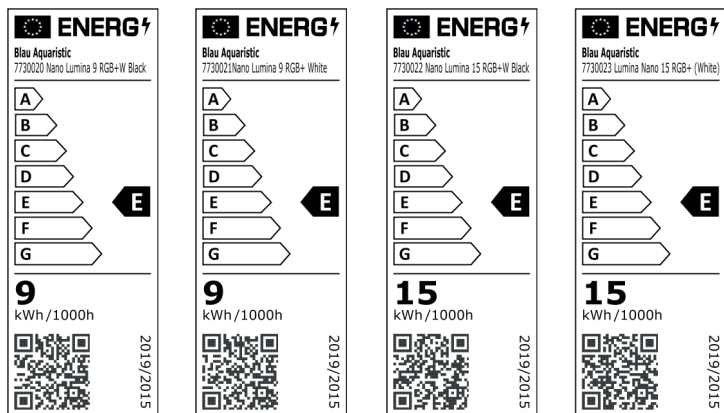
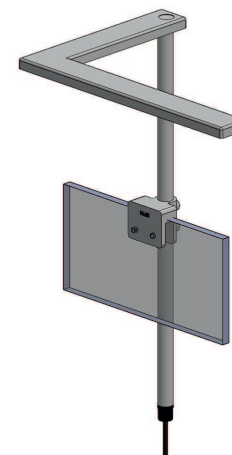


Ref.	Model	Power	Lumen	LED
7730020	Nano Lumina 9 RGB+W BLACK	9w	982	7 White + 7 RGB
7730021	Nano Lumina 9 RGB+W WHITE	9w	982	7 White + 7 RGB
7730022	Nano Lumina 15 RGB+W BLACK	15w	1707	14 White + 7 RGB
7730023	Nano Lumina 15 RGB+W WHITE	15w	1707	14 White+ 7 RGB

Manual



Nano Lumina RGB+W

- Ref. 7730020 Nano Lumina 9 RGB+W Black
- Ref. 7730021 Nano Lumina 9 RGB+W White
- Ref. 7730022 Nano Lumina 15 RGB+W Black
- Ref. 7730023 Nano Lumina 15 RGB+W White



Barcelona Marine Farm S.L.
 08041 Barcelona SPAIN
 ESB61097879
www.blau-aquaristic.com



Nano Lumina RGB+W

Nano Lumina 9 and 15 RGB+ are luminaires with an RGB+ LED system for small aquariums and terrariums. Before installing and using these luminaires, we recommend to read and understand these instructions.

Characteristics:

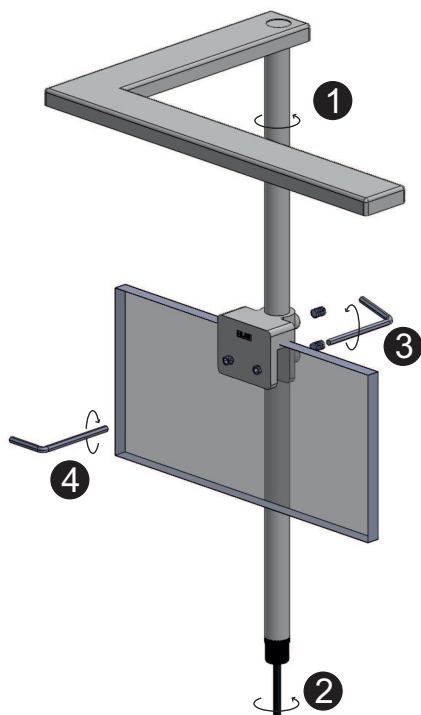
- Energy saving.
- RGB+W LED system (RGB LEDs and an exclusive channel of white LEDs).
- 4 independently adjustable channels.
- Height adjustable stand.
- Secondary lenses to avoid light dispersion.
- Epoxy resin layer for circuits and LEDs protection (IPX7).
- Memorization of the last selection allows the use of a timer clock.

Composition of the set:

- Nano Lumina RGB luminaire with controller.
- Support.
- Power supply.

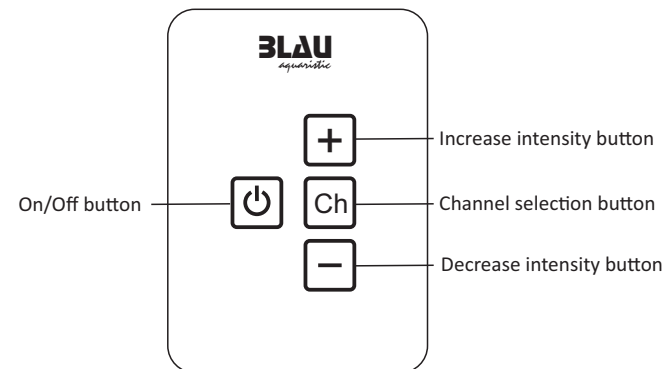
Assembly and Installation:

- 1- Screw the rod to the luminaire
- 2- Fix the cable through the cable gland by threading.
- 3- Insert the support up to the desired height and fix it using the Allen key.
- 4- With the Allen key, fix the support to the glass of the aquarium in the desired place.



Color Adjustment:

- With the light connected to the network and turned off, press the power button, all channels (Blue, Red, Green and White) will be turned on.
- With the buttons [+] and [-] select the desired intensity of the white channel, the rest of the channels (Blue, Red and Green) are shown but they cannot be adjusted.
- If you press the [Ch] button, only the blue channel will remain on, with the [+] and [-] buttons you can select the intensity of this channel.
- If you press the [Ch] button again, the red channel will light up and you can adjust it with the [+] and [-] buttons, the blue channel is displayed with the intensity selected in the previous step but it cannot be adjusted.
- If you press the [Ch] button again, the green channel will light up and you can adjust it with the [+] and [-] buttons, the blue and red channels are shown with the previous selections.
- If you finally press the [Ch] button again, it will return to the initial position, all channels are displayed.
- The controller memorizes the last selection so you can use a timer to turn the luminaire on and off.



RECYCLING:

Do not throw this controller into normal bin container, it must be taken to a special spot for the treatment of residues.



WARRANTY:

This product has a 2 year warranty for any factory defect.

The warranty does not cover:

- The damages caused for wrong installation.
- The damages caused by inadequate or improper use.
- The damages caused by natural wearing.

