

ENGLISH

Users Guide



Filter Roll 1500 Filter Roll 3000

BLAU
aquaristic

Filter Roll 1500 /3000 (Ref. 7751500/7753000)

Blau Aquaristic Filter Roll 1500/3000 is a mechanical filter for aquariums with continuous replacement of the filter material.

When the filter material is saturated, the water level inside rises by activating a sensor that turn on a motor that slowly rotates the roll with the filter material until the internal level drops, thus obtaining optimal water filtration at the same time that it is avoided that the filtered detritus is in contact with the aquarium water contaminating it.

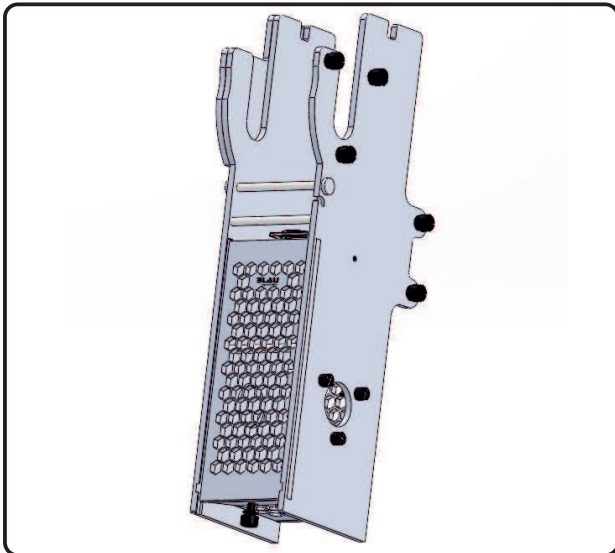
This system reduces the time spent on filter maintenance work.

In its design, the maximum saving of space has been thought without detriment to the filtration capacity.

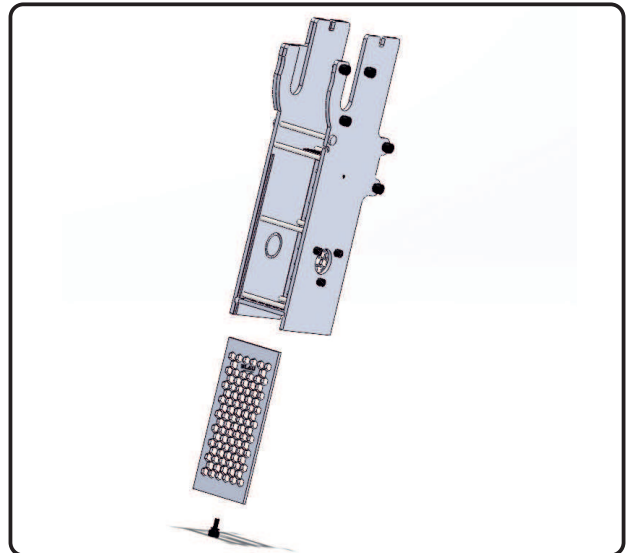
Filter Roll 1500 admits a flow rate of up to 1500 l / h, being 3000 l / h for the Filter Roll 3000 model.

The filter has to be installed in a sump with a constant water level, or if this is not possible, at a height where fluctuations in the water level cannot affect its correct operation.

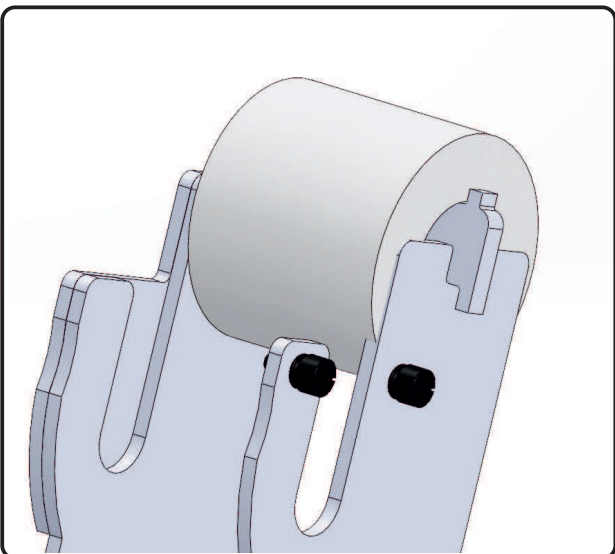
Installation



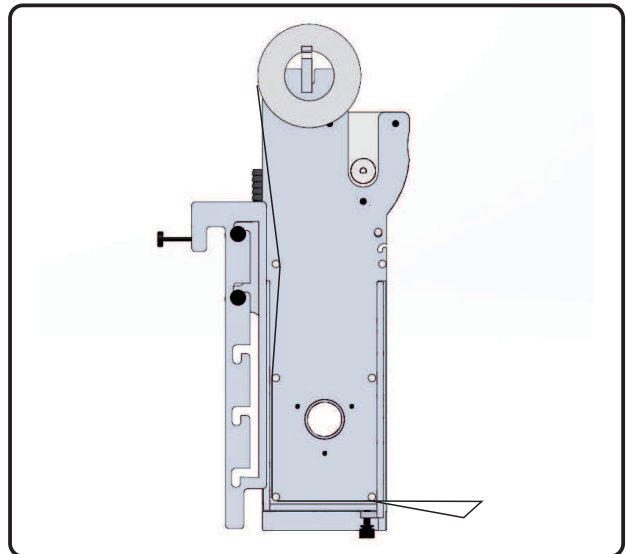
As the filter is received.



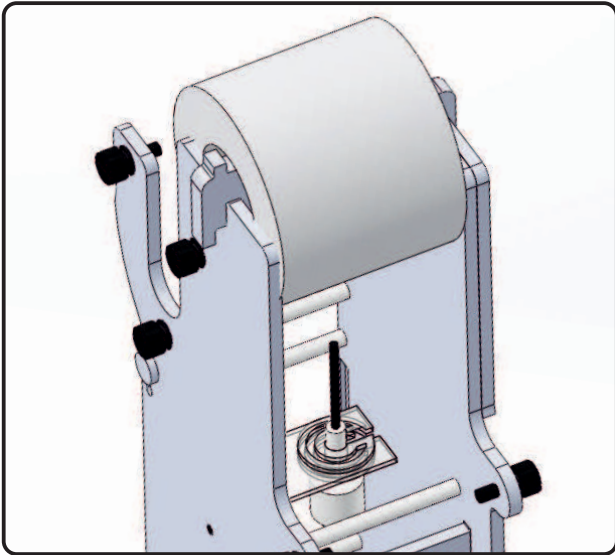
Step 1: Open the front grille to access the filter interior and facilitate its assembly.



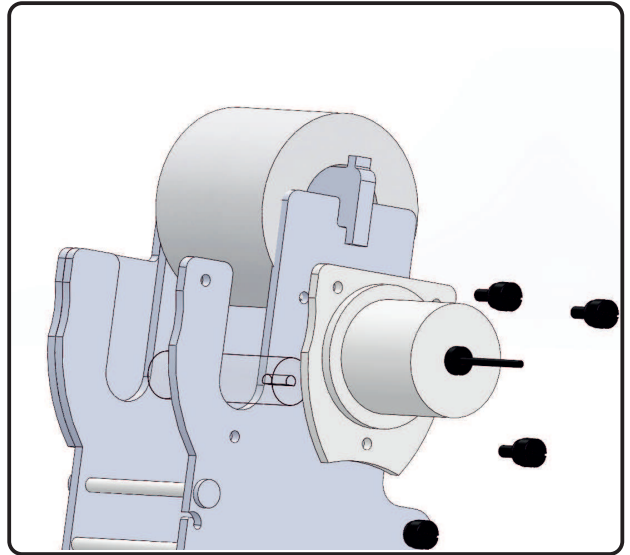
Step 2: Attach the filter cloth roll with the roll holder. The leading edge towards the outside of the filter.



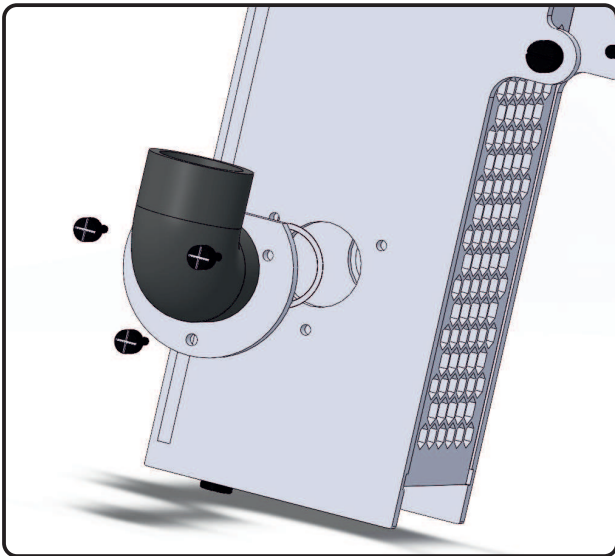
Step 3: Pass the fleece through the rollers to the middle of the filter to allow the sensor to be attached.



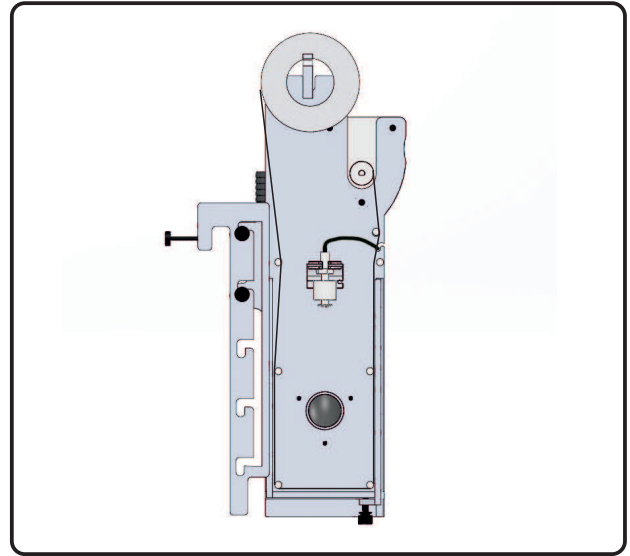
Step 4: Install the sensor into the bracket inside the filter.



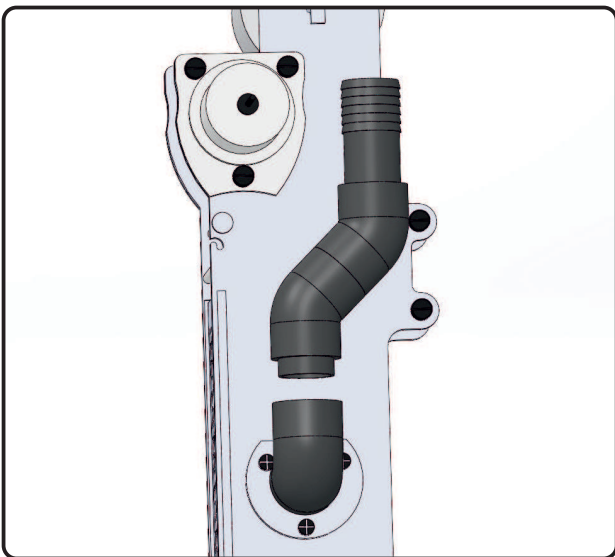
Step 5: Attach the acrylic roller and motor.



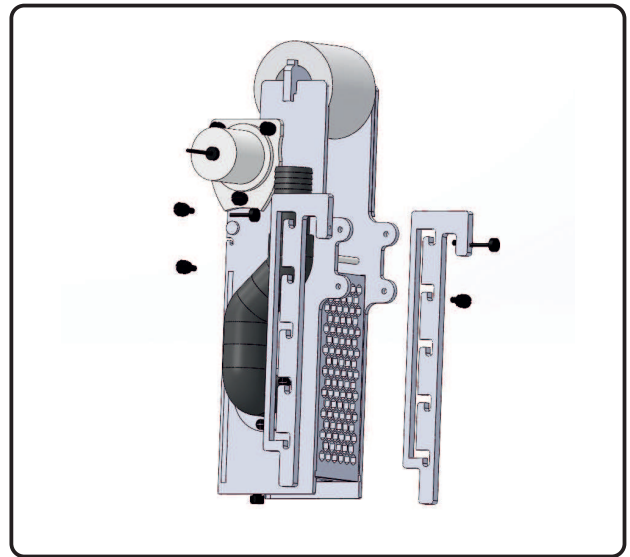
Step 6: Mount the water inlet to the filter.



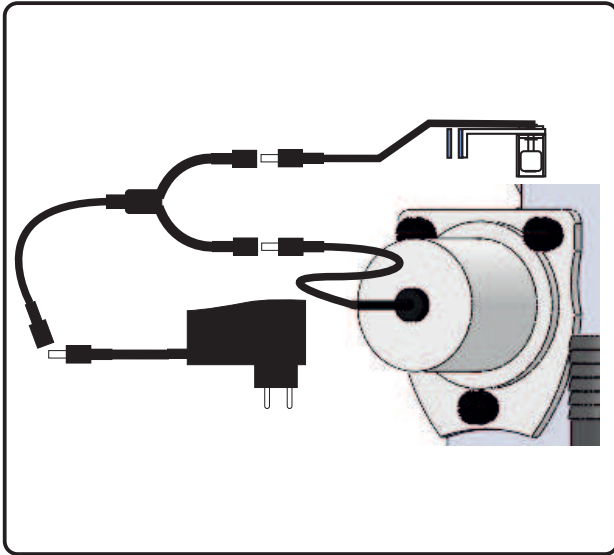
Step 7: Finish running the fleece through the rollers and attach it to the clear roller with painter's masking tape.



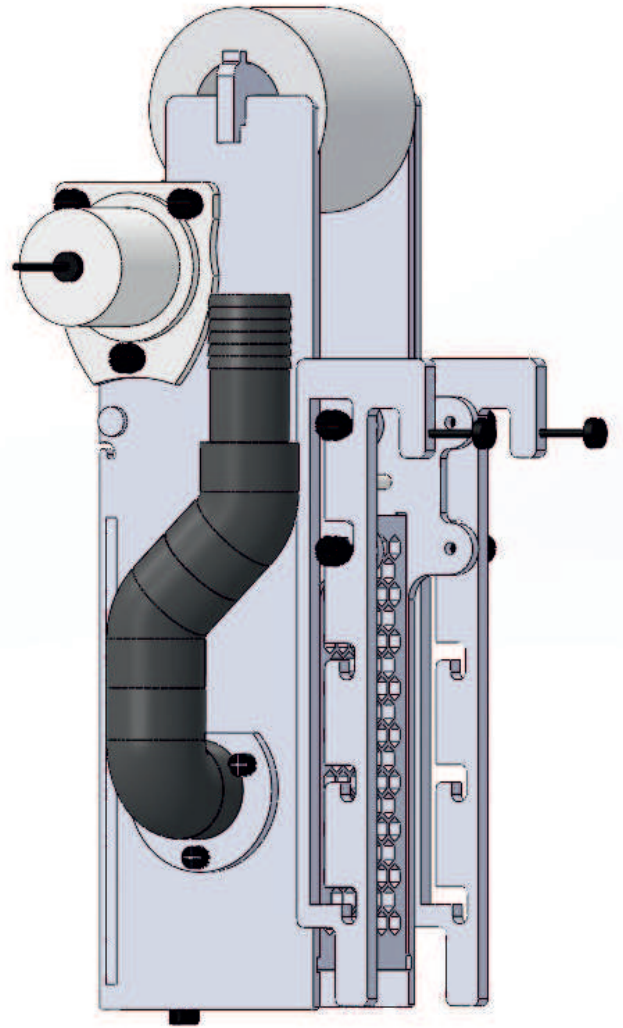
Paso 8: Now you can close the front grill and fit the water inlet tube.



Step 9: Install the filter holders. They allow the height of the filter to be adjusted with respect to the water level of the sump.



Step 10: Connect the motor and the sensor to the power adapter by the «Y» cable, and power adapter to the electrical current.



Final look.

Maintenance

To change the filter roll once it has been consumed, it is necessary to unscrew the motor to release the transparent shaft where the used fleece is rolled.

To facilitate the replacement of the filter material, we recommend fixing the leading end of the new roll to the end of the old one, in order to pass the fleece between the rollers without having to reopen the filter.

We recommend a periodically checking of the proper functioning of the sensor, as traces of detritus or salt can clog it.



Barcelona Marine Farm S.L.
 08041 Barcelona SPAIN
 ESB61097879
www.blau-aquaristic.com