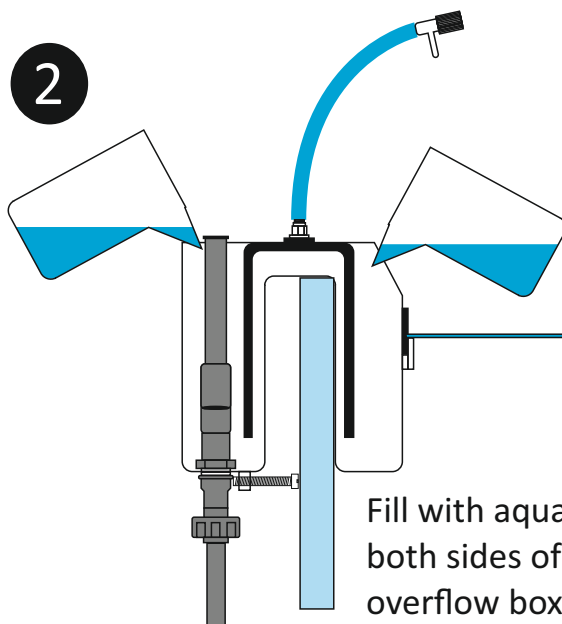
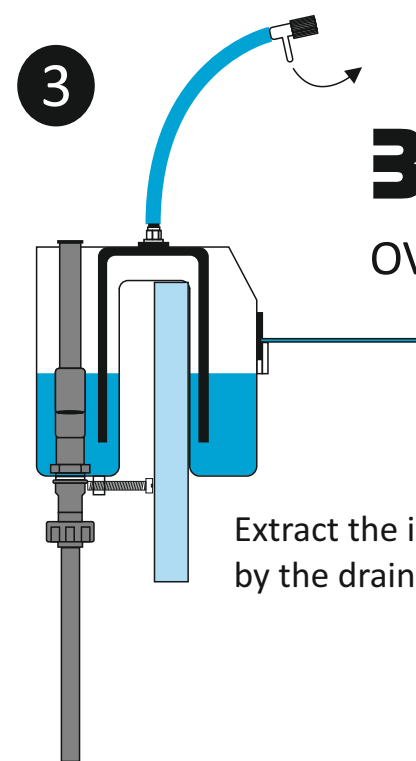


Place the overflow box in the aquarium and fix it with the screw

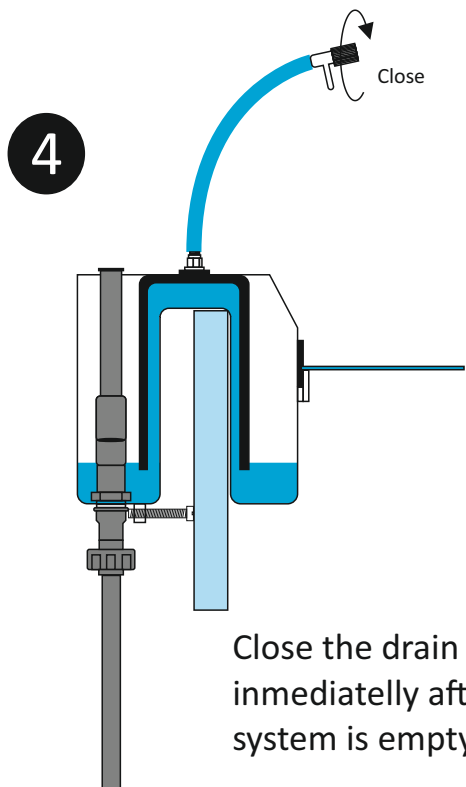


Fill with aquarium water both sides of the overflow box

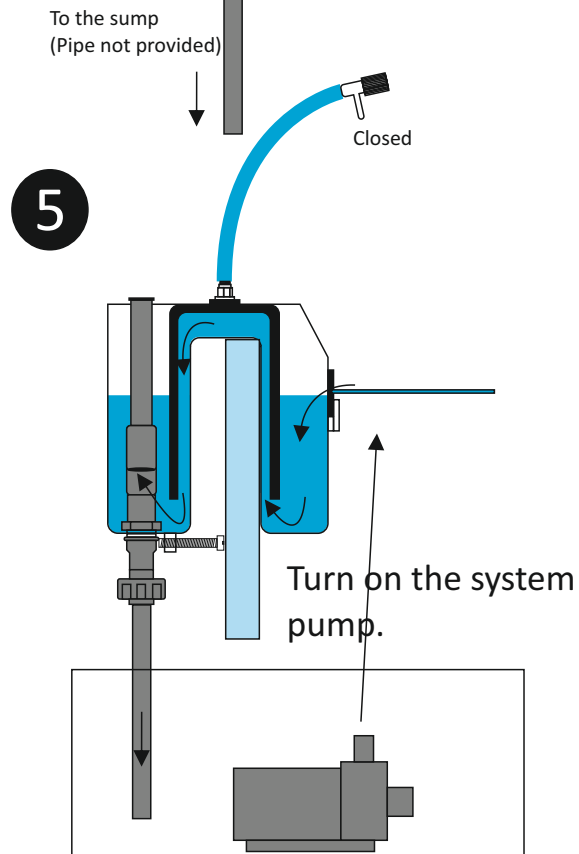


Extract the inside air by the drain valve.

**BLAU**  
*aquaristic*  
**OVERFLOW**



Close the drain valve immediately after the system is empty of air.



Turn on the system pump.

